

Table scale FAW

Simple and compact table scale for weighing in dry environments

FAW is for general weighing in dry environments.

Available in two different capacities.

Plastic bowl included. Battery as standard and adapter as an option.



Battery



LCD display with
backlight

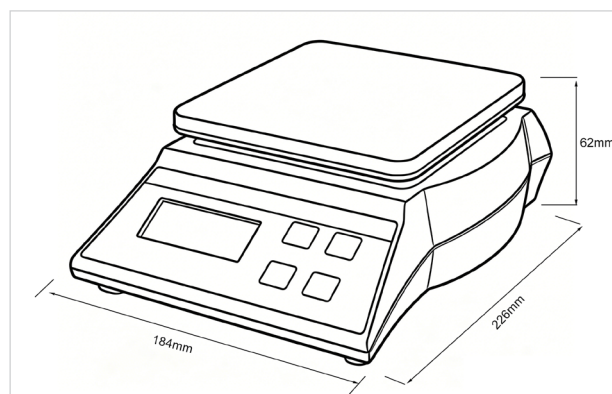
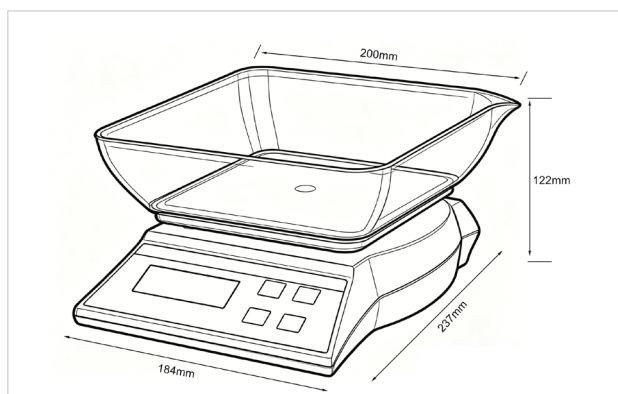
Stainless steel
weighing plate, size
145 x 145mm



Benefits

- ✓ Capacity 6kg x 1g or 600g x 0,1g
- ✓ Extra weighing bowl as an option
- ✓ Battery
- ✓ Table scale for general weighing in a dry environment
- ✓ Push buttons for On, Zero, Quick Tare and selection of unit
- ✓ LCD display with backlight. Clear and easy-to-read
- ✓ Adapter optional

Technical specifications	FAW-6	FAW-0,6
Capacity (kg)	6	0,6
Readability (g)	1	0,1
Accuracy (g)	+/-3d	+/-3d
Weighing platform size (mm)	145 x 145	145 x 145
Stainless steel weighing plate	✓	✓
Net weight (kg)	0,9	0,9
Display	25 mm numbers, LCD display with backlight	



External adjustment



CE-marked



LCD display with backlight



Unit selection, Kg, g, Lb, oz



Warranty 1 year



Loadcell



Battery 6 x AA



Plastic (ABS)