

Table scale FCW

Affordable table and floor scale

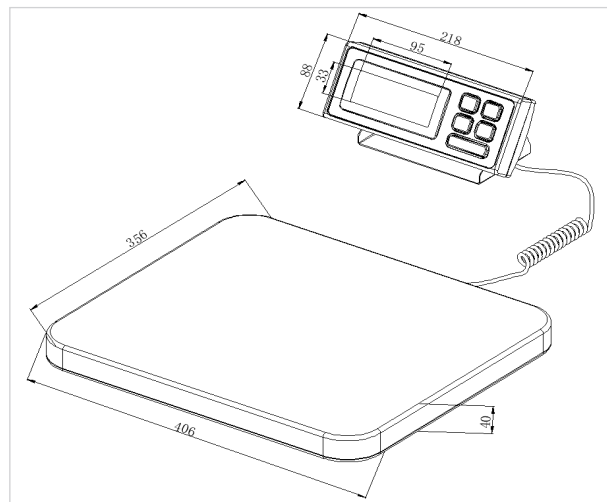
Affordable table and floor scale for general weighing in dry environments. Battery function, stainless steel weighing platform and display. Available in several capacities.



Benefits

- ✓ Stainless steel load plate
- ✓ Capacity: 30, 60 or 150kg
- ✓ AC/DC adapter and battery function
- ✓ Large numbers 25 mm, easy-to-read LCD display with backlight
- ✓ AC/DC adapter and battery function
- ✓ 10 hours battery life, longer operating time with sleep mode function
- ✓ Cable between instrument and scale plate is 226 cm

Technical specifications	FCW-30	FCW-60	FCW-150
Capacity (kg)	30	60	150
Readability (g)	20	50	100
Accuracy (g)	+/-3d	+/-3d	+/-3d
Weighing platform size (mm)	405 x 355	405 x 355	405 x 355
Stainless steel weighing plate	✓	✓	✓
Cable lenght (cm)	210	210	210
Net weight (kg)	3,2	3,2	3,2
Display	LCD display with backlight		
External adjustment	✓	✓	✓



External adjustment



CE-marked



Warranty 1 year



LCD display with backlight



Loadcell



Adapter



Battery 6 x AA



Plastic (ABS)