

Chairscale

User Manual

H550/551



Specifications

Capacity & Graduation	300kg/0.1kg (660lb/0.2lb)
Power Requirements	Adaptor 120VAC-9VDC-50Hz / 230VAC-9VDC-50Hz
Environmental	Operating temperatures: 50°F to 95°F / 10°C to 35°C Storage temperatures: 32°F to 122°F / 0°C to 50°C Humidity: 85% Use in atmospheric pressure
Product Dimensions	850 mm x 630 mm x 965mm
Chair Dimensions	430 mm x 420 mm x 76mm

Features:

Movement compensation technology
 BMI (Body Mass Index) function
 Zero / Hold / Reweigh / Clear
 Kg \ Lb / Print / Enter /Tare
 Up and Down arrows
 USB and RS232 Port for data transmission
 5-digit ¾" LCD negative/positive FSTN

Power:

The scales have rechargeable or non-rechargeable batteries.
 6 x 1.5 AA batteries (**cannot be switched to rechargeable**)
 Rechargeable battery (**cannot be switched to AA batteries**)
 9-12 VDC, 500mA
 Auto Power – off
 Low battery indicatio

Options:

230V AC adaptor /
 120V AC adaptor

Battery indicator

Battery status	Flag indicator
Maximum battery value	3 bars are on
Medium 2 battery value	2 bars are on
Medium 1 battery value	1 bar is on
Low battery	Battery frame
Minimum	Flashing battery frame
Critical	Scrolling "LOW bAt" and auto shutoff
No Battery	Off



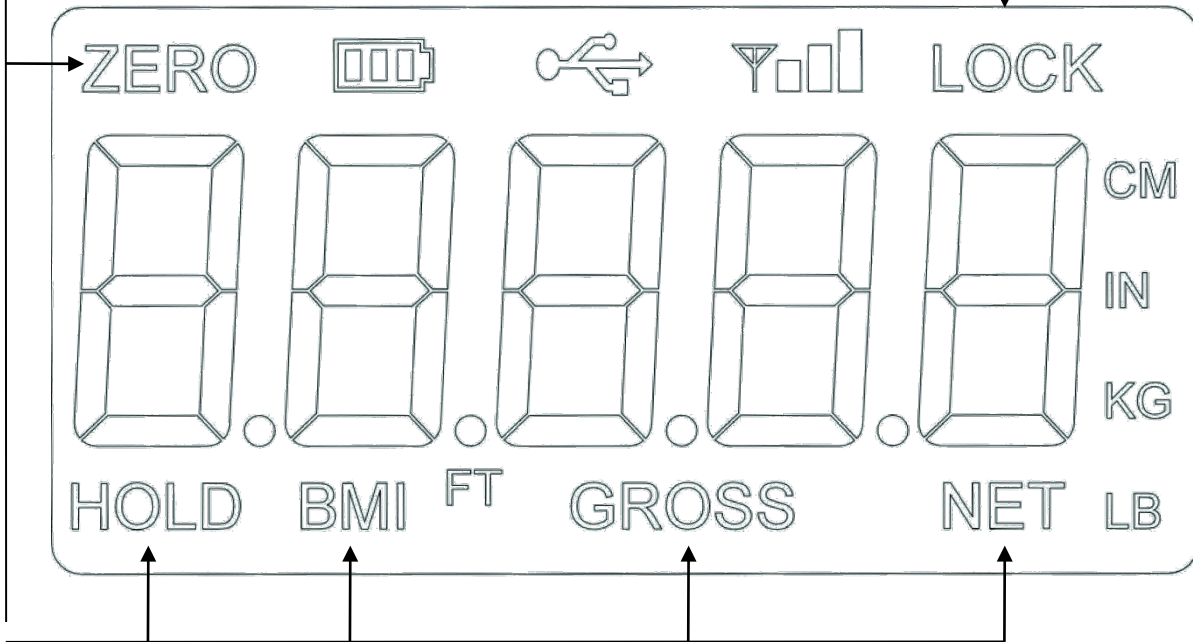
Do not use chair scales for transport of persons!

- If external power supply or USB power is connected the battery flag is turned off.
- Battery flag update. On startup the update is every 5 seconds for 12 cycles (overall 1 minute), after that the battery flag is updated once every 10 seconds.
- When on battery or USB power supply the backlight power is reduced to 60 percent.

The display

Annunciators

ZERO, LOCK, HOLD, BMI, GROSS, NET

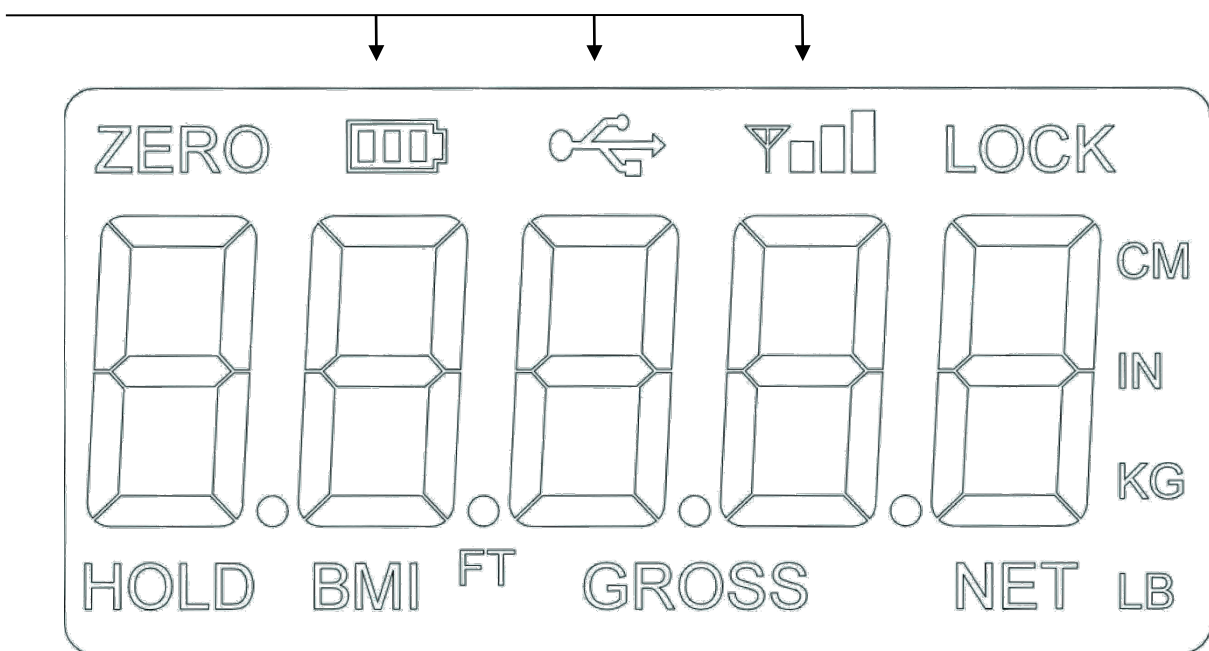


Indicators

Battery (see info above)






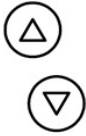



USB,

WIFI (Optional)



KEY DESCRIPTION:

End user operation mode:

Key	Name	Function
	On/Off	Turns the scale on or off
	Print Kg/Lb	A long press will trigger a transmission of data sent out by RS232 (see RS232 protocol). When data is sent out from the port, the display flashes the word PRINT to acknowledge the data was sent. A short press allows toggling between pounds and kilograms (providing it is enabled on configuration mode). No toggle in BMI mode.
	Zero	Zeroes the weight on the scale, Attempts to zero for three seconds Works only if the weight is stable Zeroes up to 2% of full weight
	Hold / Release	Pressing on this key while HOLD indicator is off will keep the most current weight value shown on the display along with the HOLD indicator Pressing on this key while HOLD indicator is on will release the weight and turn off the HOLD indicator This key is not active in BMI mode
	BMI	Enter BMI mode, only works if there is a locked weight shown on the display and the function is turned on in the configuration settings
	UP/DOWN	Adjust the value of the flashing digit\number
	CLEAR	In BMI height display causes the value to return to default (170.0 cm, 5 ft.7.5 in) In BMI final result display pressing this key will return the scale to weighing mode
	ENTER	Accepts the value of the parameter last entered and moves to the next stage. A long press during scales start-up process will enter id display (pre-parameters mode)
	TARE	For weight under the limit (ASTART value), will enter manual tare, If above the limit will enter tare function NET & GROSS indicators are on according to the tare operation

BMI procedure

KG mode

- Ensure that the scale is at zero.
 - Have the person sit down on the scale to obtain a weight.
 - Pressing on BMI key will enter BMI mode, BMI and CM indicators are on and the display shows the height default value **170.0** cm. while all digits are flashing (the height resolution is 0.5 cm).
 - UP/DOWN key are used to adjust the entire value. Pressing it once will adjust by 0.5 cm. If you hold the key down it will keep incrementing\decrementing the values.
 - Pressing ENTER will move to BMI value.
 - BMI value is shown on the display, Pressing CLEAR to return to weighing mode, BMI indicator is off.
- * The last height value entered is saved until the zero flag is displayed or negative weight is detected, at this point the value returns to the default value.
- * The height value in cm. is independent to the value in ft. and vice versa.

HOLD\RELEASE FUNCTION

1. When the person is on the scale, press the HOLD\RELEASE key.
2. When the person gets off the scale the weight will remain the same.
The zero flag will not turn on.
3. At this stage the ZERO key will not work. The only way to return to zero from here is to press the HOLD\RELEASE key once more.

TARE FUNCTION:

1. When the weight is below the ASTART parameter value press the TARE key.
2. The default tare value is displayed (factory programmed at 33.0 lb.\15.0 kg), while the zero is flashing.
3. UP/DOWN key is used to adjust the value.
4. Press enter start the tare function. NET annunciator will be turned on instead of the GROSS annunciator.

MANUAL TARE

1. When the weight is above the ASTART parameter value press the TARE key.
2. The tare will be activated with the value that was displayed at the time of the tare activation.
3. NET annunciator will be turned on instead of the GROSS annunciator.

Print button

On pressing the print button the following data will be sent.

In weight mode:

PATIENT WEIGHT 60.1 kg

In BMI (On calculated BMI display only):

In kg:

PATIENT WEIGHT 60.1 kg

PATIENT HEIGHT 170.0 cm

PATIENT BMI 20.8

In case of underweight or overweight the word 'UNDER' or 'OVER' will be sent accordingly.

